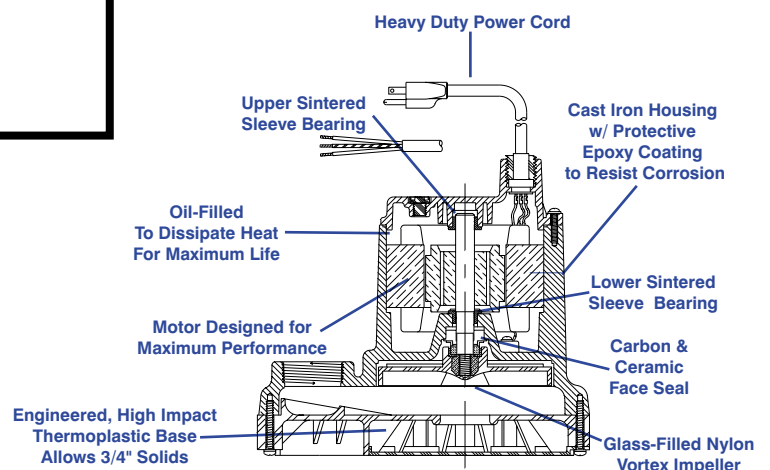


## 8E SERIES



### Features

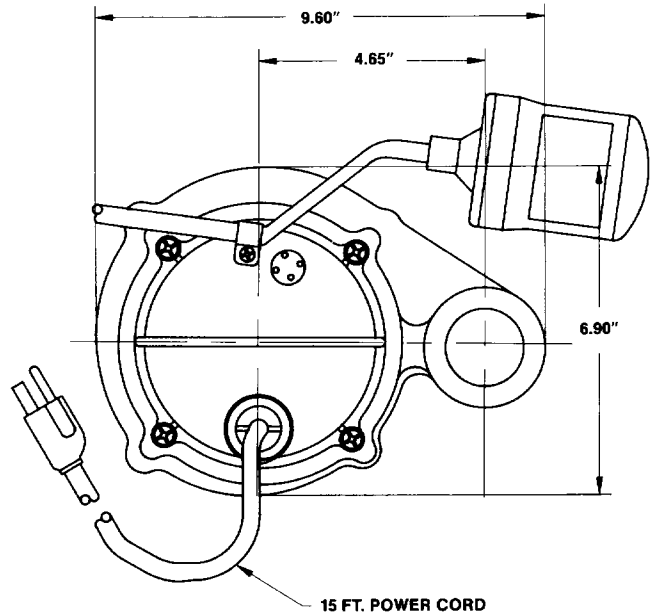
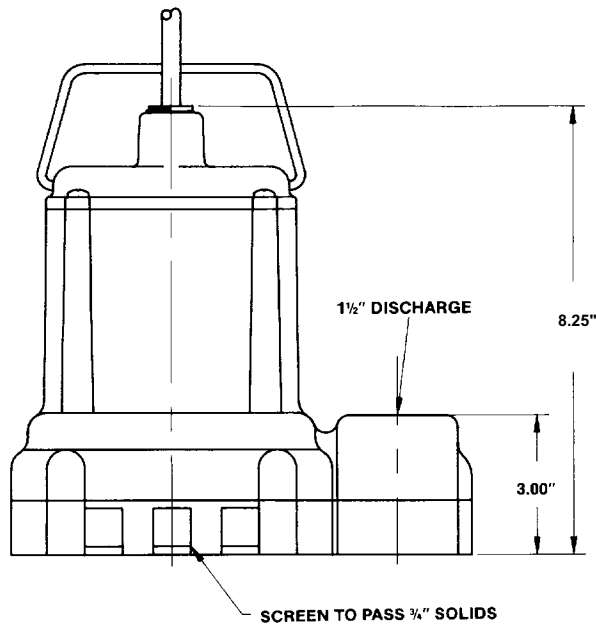
- Handles liquids and solid waste materials up to 3/4" diameter.
- Cast iron pump housing with protective epoxy coating for corrosion resistance
- Oil-filled motor housing for lifetime lubrication and rapid heat dissipation
- Stainless steel fasteners
- Mechanical seals (stainless steel spring, nitrile parts, Carbon and ceramic faces)
- Bearings: Upper and Lower Sintered Sleeve
- Thermal overload protection
- Manual and Automatic models
- Automatic operation has 9 to 14 "On" level and 2 to 6 "Off" level range
- All 115 volt models are UL/CSA listed.



The Model 8E Series De-watering and Effluent pumps are for residential and light commercial use. Pumps feature a 1-1/2" FNPT discharge with a lift of 21', glass-filled nylon cover and ABS base.

# Little Giant Pump Co.

## 8E SERIES SUMP/EFFLUENT PUMP

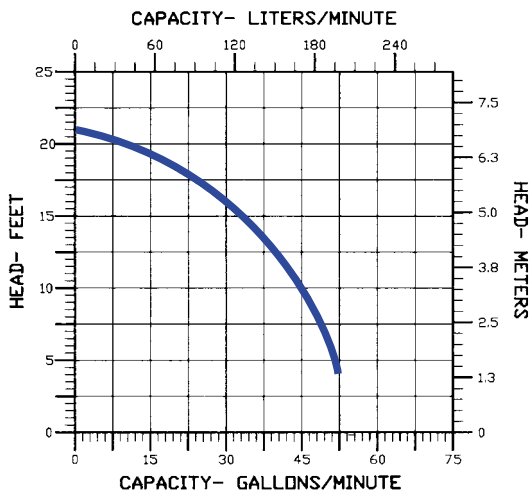


### Specifications

MODEL NO.	ITEM NO.	LISTING	HP	VOLTS	SOLIDS SIZE (Dia. in.)	RUNNING AMPS/WATTS	PERFORMANCE (GPM @ HEAD)				SHUTOFF (Ft.)	P.S.I.	PWR. CRD. (Ft.)	WEIGHT (Lbs.)	DIMENSIONS (HxLxW in.)
							5'	10'	15'	20'					
8E-CIM	509000	UL/CSA	1/3	115	3/4	11/900	52	45	33	—	21	9.1	10	24	8.25 x 9.6 x 6.9
8E-CIA-RFS	509100	UL/CSA	1/3	115	3/4	11/900	52	45	33	—	21	9.1	10	25	8.25 x 9.6 x 6.9
8E-CIM	509050	UL	1/3	230	3/4	6/900	52	45	33	—	21	9.1	12	23	8.25 x 9.6 x 6.9
8E-CIM	509005	UL/CSA	1/3	115	3/4	11/900	52	45	33	—	21	9.1	15	24	8.25 x 9.6 x 6.9
8E-CIA-RFS	509105	UL/CSA	1/3	115	3/4	11/900	52	45	33	—	21	9.1	15	26	8.25 x 9.6 x 6.9
8E-CIA-RFS	509120	UL/CSA	1/3	115	3/4	11/900	52	45	33	—	21	9.1	20	26	8.25 x 9.6 x 6.9
8E-CIM	509125	UL/CSA	1/3	115	3/4	11/900	52	45	33	—	21	9.1	25	25	8.25 x 9.6 x 6.9

All models are 60 Hz.

8E SERIES PUMP PERFORMANCE CURVE



### Construction

Motor Housing	Epoxy Coated Cast Iron
Impeller Material	Nylon
Impeller Type	Vortex
Volute	Epoxy Coated Cast Iron
Power Cord	SJTW-A
Mechanical Shaft Seal	Nitrile with carbon and ceramic faces
Fasteners	Stainless Steel
Shaft	Cold Rolled Steel
Bearings	Upper and lower sintered sleeve bearings



ISO 9001 CERTIFIED

**Little Giant Pump Co.**

PO Box 12010  
Okla. City, OK 73157

Phone: 405.947.2511  
Fax: 405.951.5674

[www.LittleGiantPump.com](http://www.LittleGiantPump.com)

Form No. 994340 - 05/01